



a xylem brand

# Technical Data Sheet Quiet Flush QC Series Model 38XXX-XXXX

This document provides technical information relating to this specific Jabsco model. General information, references and further resource locations are also included.

Jabsco Quiet Flush electric toilets are designed to meet the demands of modern boating expectations with reliable performance and the fastest service time in the market thanks to QFE2 quick release system.

## Features

- Quiet Flush Cycle
- Powerful centrifugal discharge pump to break up and evacuate waste
- Electronic control panel featuring 'eco' water saver mode
- Quick release system offering quick and simple access to discharge pump for servicing
- On-board fresh water or sea/river/lake water rinse models
- Rotatable base and discharge pump to ensure pipework can be routed to rear
- Quick release discharge ports for simple installation (straight and 90° discharge available)
- Compact or regular bowl sizes
- Soft close seat & lid or Wooden standard close.
- Easy clean shroud hiding all fixings

## Kit Contents

Base Toilet Model:	<b>Quiet Flush E2</b>
Rinse Method:	<b>Solenoid Valve – On-board Fresh Water Diaphragm Rinse Pump – Sea, River, Lake Water</b>
Bowl Size:	<b>Compact/Regular</b>
Seat & Lid:	<b>Soft Close/Wooden</b>
Panel Switch:	<b>Electronic Touch Sensor</b>
IOM:	<b>Included (P/N XXXXXXXXX)</b>
Carton Type:	<b>Single Colour Aftermarket</b>
Master Pack Qty:	<b>1</b>

## Hydraulic Performance (nominal voltage) (Discharge pump with water)

Open Flow Rate:	<b>80 LPM (21 GPM)</b>
Max Operating Pressure:	<b>0.5 bar (7.25 psi)</b>
Fluid Temperature Range:	<b>1 - 65C (34 - 150F)</b>
Run Dry Capable:	<b>YES</b>

## Control Panel and Box Specifications:

<b>Panel</b>	Membrane touch pad 3m link cable with quick connect Clip on fascia panel
<b>Panel Flush Modes</b>	Eco, Normal, Empty
<b>Water Usage</b>	Eco - 1.0 L Normal - 2.0 L Empty 1.0L



## General Specifications

<b>Part Number:</b>	38X45-XXXX
<b>Aftermarket Replacement:</b>	38X45-XXXX
<b>Replaces:</b>	37045-XXXX, 37245-XXXX
<b>Application:</b>	Electric Marine Toilet System
<b>Design:</b>	High capacity discharge pump driven by permanent magnet motor. Thermal Motor Protection (TCO) Quick connect discharge pump assembly Quick connect discharge port
<b>Toilet bowl inlet:</b>	19mm (3/4") Hose barb
<b>Waste discharge:</b>	25mm (1") Hose barb (straight or 90° port) Option for 38mm (1.5") with adaptor

## Electrical Performance

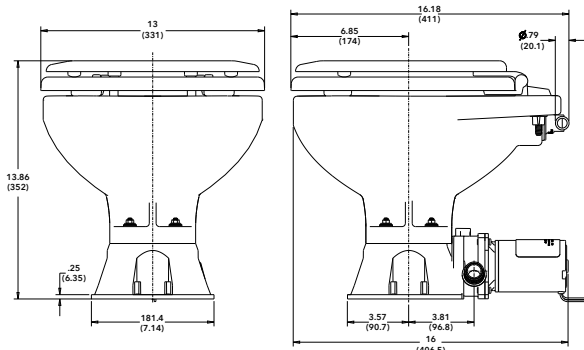
<b>Nominal Voltage:</b>	12.0 VDC	24.0 VDC
<b>Voltage Range:</b>	9.6 - 14.4 VDC	19.2 - 28.8 VDC
<b>Max Current Draw:</b>	20 A	10A
<b>Fuse Size:</b>	25 A	13 A
<b>Duty Cycle:</b>	Intermittent	
<b>Leads:</b>	LENGTH: 6 ft - 14AWG (182cm)	
<b>Wire Connection:</b>	Stripped Wire	

## Materials

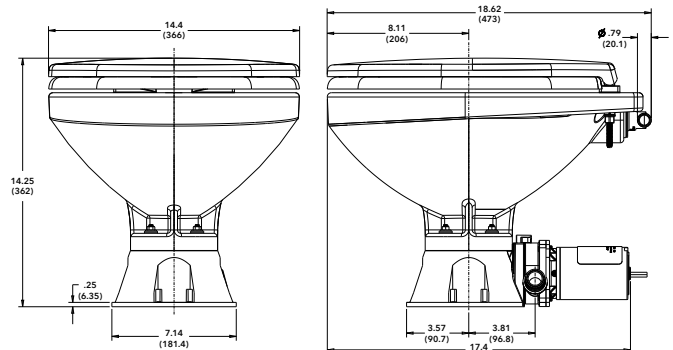
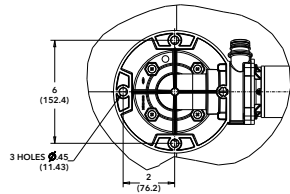
<b>Ceramic Bowl:</b>	Glazed Vitreous China
<b>Seat &amp; Lid (Compact)</b>	Wooden, basked enamel plastic coating
<b>Seat &amp; Lid (Regular):</b>	Thermoset Urea
<b>Base Assembly:</b>	ABS

<b>Control Box</b>	Sealed Control Box For 12/24 VDC Power Reverse polarity protected Electrically Controlled Heavy duty mechanical relays
<b>IP Rating</b>	IP56 (Panel and Control Box)

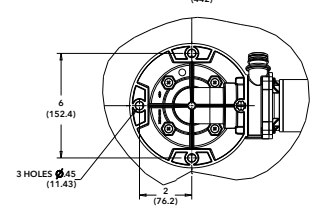
## Dimensional Drawings: inches (millimeters)



**Compact Bowl Models**  
**38X45-309X**



**Regular Bowl Models**  
**38X45-4X9X**



## Solenoid Valve

For use with existing on-board potable water system

Working Pressure:	0 - 10 bar (2.9 - 145 psi)
Fluid Temperature:	0 - 25C (0 - 77F)
Flow Direction:	Designated on product label
Electric Pilot Control:	Valve Normally Closed
Electrical Connections:	Spade terminal (non-polarity sensitive)
Hydraulic Connections:	15mm (3/4") John Guest, 15mm (3/4") Hose Barb, 19mm (3/4") Hose barb
Installation:	Valve can be mounted in any orientation
Minimum required inlet flow (on board fresh water pump)	11 LPM (3 GPM)

## Diaphragm Rinse Pump

For use with sea/river/lake water rinse system

Nominal Voltage:	12VDC	24VDC
Voltage Range:	9.6 - 14.4 VDC	19.2 - 28.8 VDC
Max Current Draw:	4.5 A	4.5A
Open Flow Rate:	11 LPM (2.4GPM)	
Self Priming:	Yes - 1.8m (5.9ft) max	
Fluid Temperature Range:	5C - 60C (40F - 140F)	
Dry Run Capable:	YES	
Duty Cycle:	Intermittant	
Hydraulic Connections:	Inlet: 19mm (3/4") Hose barb Outlet: 19mm (3/4") Hose barb	
Inlet Strainer:	Inline, 40 mesh, snap in	

## Compliance (Complete System)

CE:	YES
ABYC:	YES
UKCA:	YES
ROHS:	YES
ISO 8849 (Ignition Protection)	YES

## Service Kits and Spares

See separate IOM

## Installation and Operation

For guidance on proper installation and operation of this product, as well as for any warnings or cautions involving use, please consult the appropriate IOM for the product. Printed IOM's are supplied with the product and are also available online.

IOM:	On website, hard copies with products
Warranty:	Information included with IOM
Customer Service:	Refer to contact info at bottom of page
Website:	<a href="http://www.xylem.com/Jabsco">www.xylem.com/Jabsco</a>

**Note: Specifications provided for guidance only. We reserve the right to change specifications without prior notice**



a xylem brand

**Xylem Inc. – USA**  
17942 Cowan  
Irvine, CA 92614

**Xylem Inc. – UK**  
Harlow Innovation Park,  
London Road, Harlow, Essex, CM17 9LX

**Xylem Inc. – CHINA**  
30/F Tower A, 100 Zunyi Road, Shanghai  
200051

**Xylem Inc. – HUNGARY KFT**  
2700 Cegléd  
Külso-Kátai út 41

**Xylem Inc. – AUSTRALIA**  
2/2 Capicure Drive  
Eastern Creek, NSW 2766

[www.xylem.com/jabsco](http://www.xylem.com/jabsco)

© 2022 Xylem Inc. All rights reserved  
Jabsco is a trademark of Xylem Inc. or one of its subsidiaries  
43000-0620 Rev. A 03/2022